

# Types of Track Installations for Bifolds and Sliding Panels

## OUTER MOUNT BIFOLDING INSTALLATIONS

For outer mount track installations, 1-1/2" thick headers and 1" thick returns and 1/4" thick top and side fascias are required (see sketch). Headers are installed on the wall above the casing and the returns are installed on the wall, beside the casing. We have allowed 3/4" in the header and return depth measurements (see chart below) to accommodate casing.

We will deduct from your opening measurements to accommodate track unless specified otherwise. See facing page.

## INNER MOUNT BIFOLDING INSTALLATIONS (not shown)

Inner mount track installations may be installed directly on door jambs, cabinets and ceilings. The use of a header and returns provides a surface for installation of fascias. Header and returns are recommended if jamb is not wood.

A 1/2" thick header and returns and 1/4" thick top and side fascia will be supplied unless otherwise specified. We will deduct from your opening measurements to accommodate track, header, returns, hinges and clearance unless you specify otherwise.

## INNER AND OUTER MOUNT BIFOLDING INSTALLATIONS

When protrusions such as handles, cranks, etc. exceed the thickness of the panel, you must advise the depth of the protrusion. PINECREST® will add to the header and return depth measurement shown in the chart below the amount that exceeds the panel thickness. NOTE: Take into consideration the 3/4" casing thickness allowance already included for outer mount installations.

## HINGES FOR BIFOLDING INSTALLATIONS WITH TRACK

1-1/4" thick panels – HN33 nonmortised interpanel hinges. Hinges are not attached, nor are panels predrilled for hinge screws. Hanging hinges are not required. PINECREST® makes track, hinge and clearance allowances to your dimensions unless otherwise specified.

## HINGES FOR BIFOLDING INSTALLATIONS WITH CASTERS

1-1/4" thick panels. HN33 nonmortised hanging and interpanel hinges. Hinges are not attached, nor are panels predrilled for hinge screws. PINECREST® makes hinge, caster and clearance allowances to your dimensions unless otherwise specified.

## BIFOLD INSTALLATIONS FASCIAS

TRACK TR9	FASCIA SIZE (FACE X THICKNESS)		
	OUTER MOUNT 1-1/2" HEADER 1" RETURNS	INNER MOUNT 1/2" HEADER 1/2" RETURNS	INNER MOUNT NO HEADER
TOP FASCIAS	3-1/4" X 1/4"	2-1/4" X 1/4"	1-3/4" X 1/4"
SIDE FASCIA (Used only with returns)	1-3/4" X 1/4"	1-1/4" X 1/4"	

## HEADER AND RETURN DEPTHS

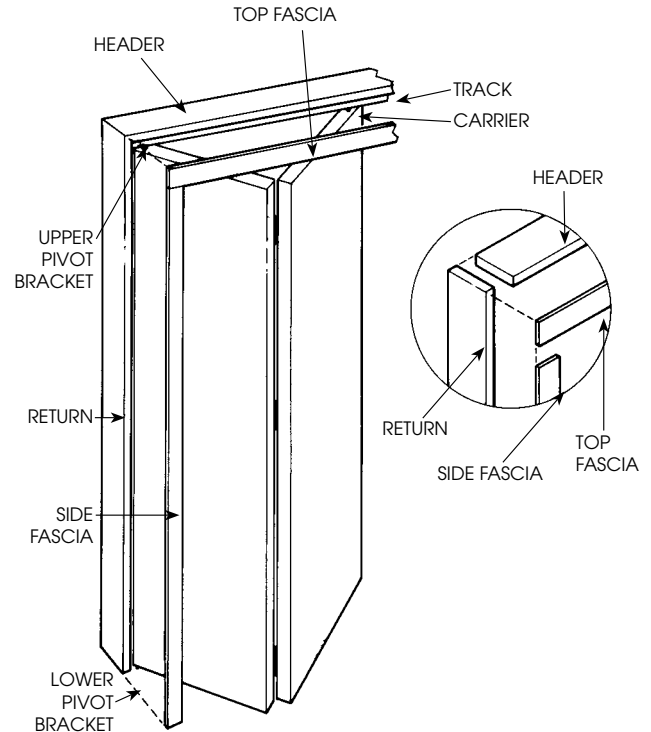
Outer mount installations include 3/4" for casing thickness.

OUTER MOUNT	INNER MOUNT
1-1/4" T PANELS	1-1/4" T PANELS
3-7/8"	3-1/8"

## SLIDING INSTALLATIONS

PINECREST® makes allowances for track and components and adds to your dimensions for overlaps.

PINECREST®'S TR9 track is used. See chart to right for recommended header sizes. Header & return depth measurements shown do not include casing protrusion or other protrusions such as handles, cranks, etc. When there are protrusions, PINECREST® will add the measurement to the header and return depths shown.



## SLIDING INSTALLATIONS (Continued)

### Outer Mount:

1-1/2" T header is provided.  
1" T returns provided unless otherwise specified.  
1/4" T top fascia is provided.  
Top fascia one side or two sides.

### Inner Mount:

1/2" T header is provided unless otherwise specified.  
1/4" T top fascia is provided unless otherwise specified.  
Top fascia one side or two sides.  
PINECREST® deducts from opening height to accommodate header unless otherwise specified.  
Returns are not required.

## HEADER AND RETURN DEPTHS

PANEL THICKNESS	1-1/4"
INSTALLATION TYPES	
F-INSTALLATION	INSTALLED WITH QUARTER ROUND
F1, F1 LEFT, F1 RIGHT, B1, B2	4"
B3, S3, F2	5-3/4"
S4, F3	7-3/4"

## WALL INSTALLATIONS

PANEL THICKNESS	1-1/4"
INSTALLATION TYPES	
W1	2-1/4"
W2	4"
W3	5-3/4"

## FASCIAS

TRACK TR9	FASCIA SIZE (FACE X THICKNESS)		
	OUTER MOUNT 1-1/2" HEADER 1" RETURNS OPTIONAL	INNER MOUNT 1/2" HEADER NO RETURNS	INNER MOUNT NO HEADER
TOP FASCIAS	4" X 1/4"	3" X 1/4"	2-1/2" X 1/4"