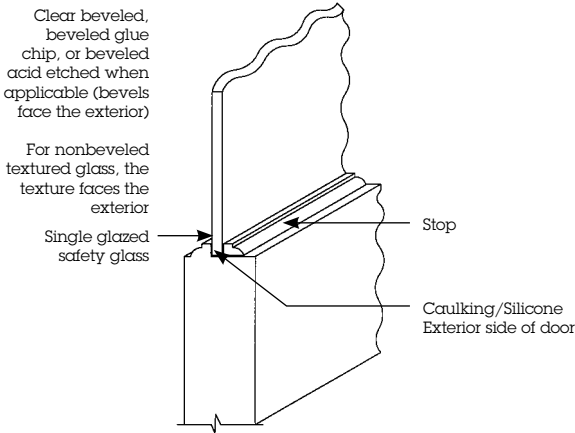


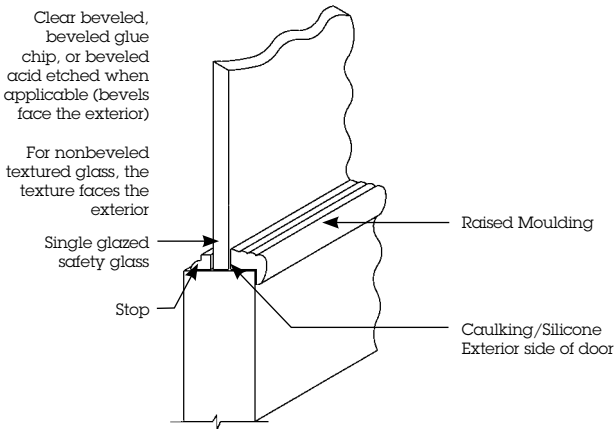
NONINSULATING GLASS

SINGLE GLAZED

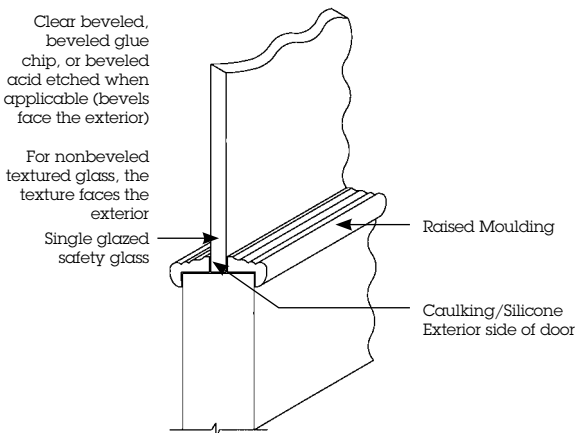
1. SINGLE GLAZING - No Applied Mouldings



2. SINGLE GLAZING - Applied Raised Mouldings One Side



3. SINGLE GLAZING - Applied Raised Mouldings Two Sides

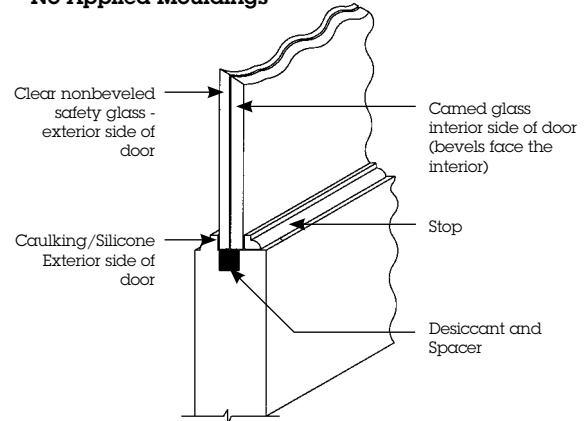


CAMED GLASS WITH SAFETY GLASS REINFORCEMENT

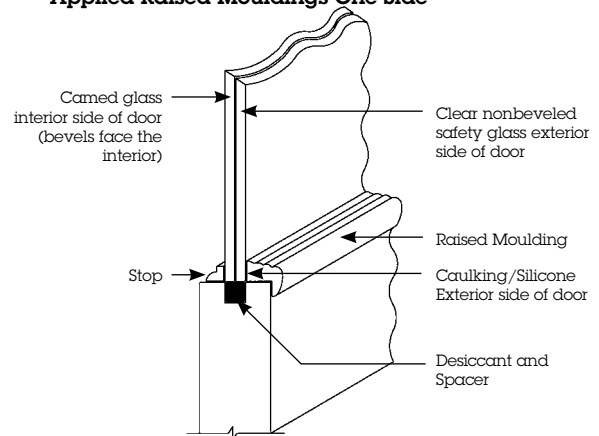
Safety glass reinforcement is for the protection of the decorative elements and is not true insulating glass. Because of the nature of camed glass construction, certain weather conditions may produce some condensation in doors with safety glass reinforcement.

Doors less than 1- 3/4" thick will not accommodate camed glass with safety glass reinforcement.

9. CAMED GLASS WITH SAFETY GLASS REINFORCEMENT No Applied Mouldings



10. CAMED GLASS WITH SAFETY GLASS REINFORCEMENT Applied Raised Mouldings One Side



11. CAMED GLASS WITH SAFETY GLASS REINFORCEMENT Applied Raised Mouldings Two Sides

