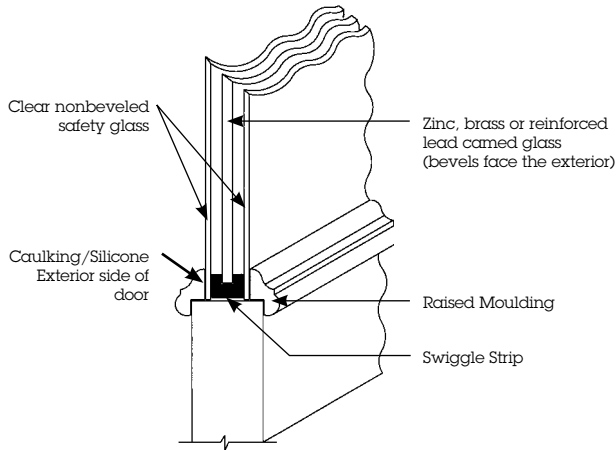


# INSULATING GLASS

## TRIPLE GLAZED INSULATING

Zinc (standard), brass or reinforced lead came\* glass doors are triple glazed with two pieces of safety glass positioned with an air space separating each from the interior panel. The unit is then completed with a patented and thoroughly efficient perimeter seal. Low-E glass and argon gas fill are available.

### 8. TRIPLE GLAZED INSULATING - Applied Raised Mouldings Two Sides

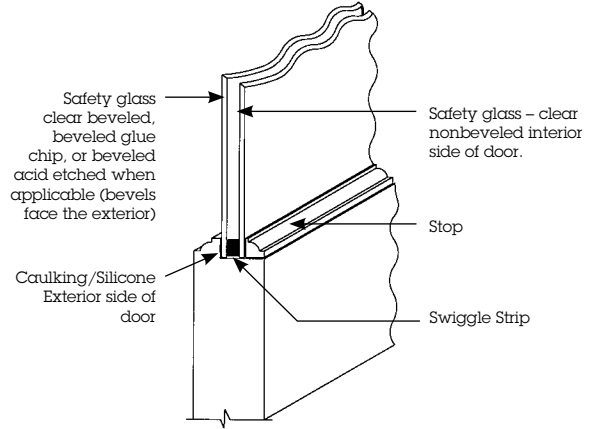


\*For many people, bright zinc and brass coming do not satisfy their particular esthetic requirements. Therefore, PINECREST® offers an alternative reinforced lead coming which has the look of lead and the structural integrity of zinc or brass. There is an extra charge for brass reinforced lead coming.

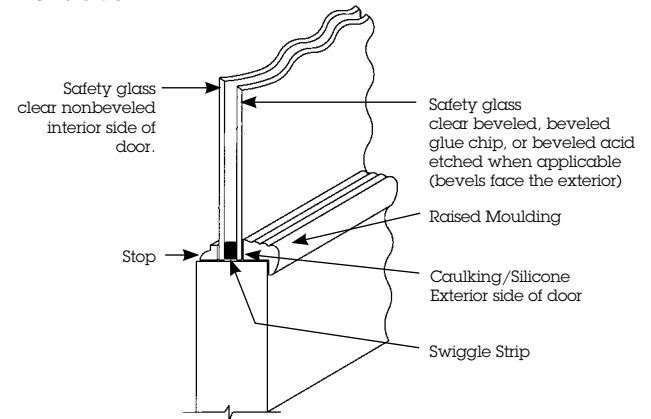
## DOUBLE GLAZED INSULATING

Double glazed doors incorporate two pieces of safety glass separated by an air space. The units are then completed with a patented and thoroughly efficient perimeter seal. Low-E glass (not available beveled) and argon gas fill are available.

### 4. DOUBLE GLAZED INSULATING - No Applied Raised Mouldings



### 5. DOUBLE GLAZED INSULATING - Applied Raised Mouldings One Side



### 6. DOUBLE GLAZED INSULATING - Applied Raised Mouldings Two Sides

